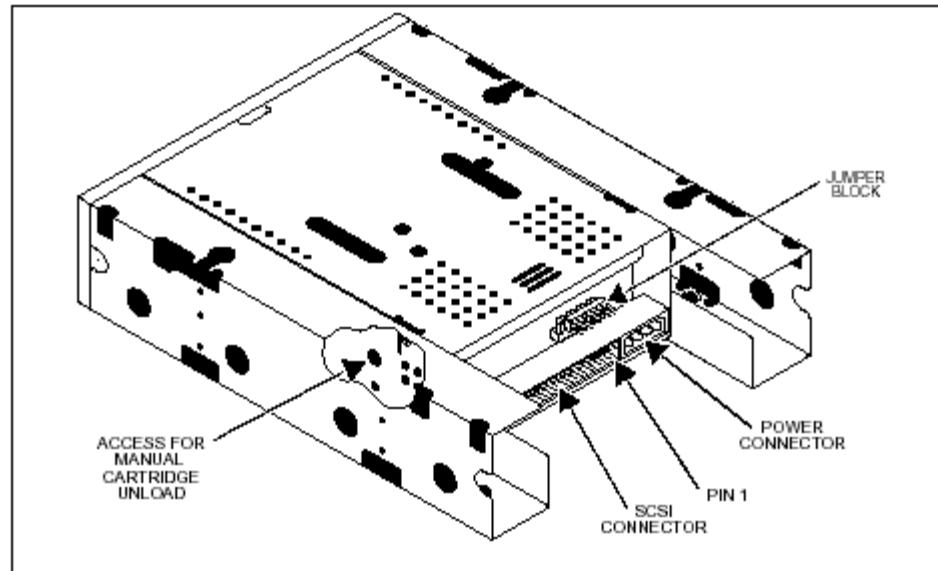


## The Proper way to ID an Internal Seagate Tape Drive

*Figure 3-5  
Location of Jumpers for Internal Drive with Rails*



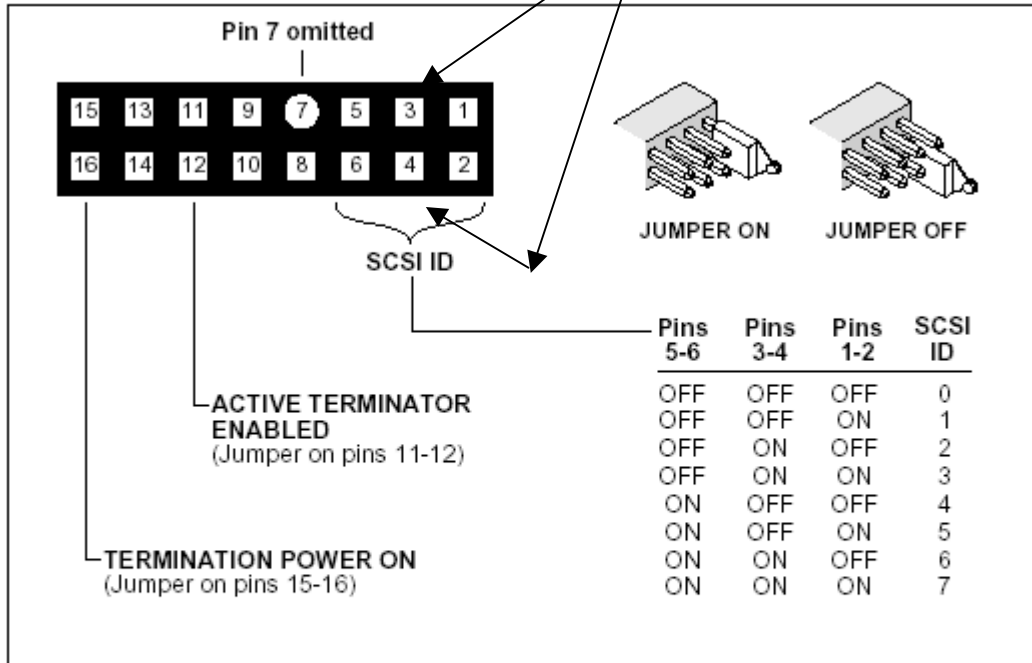
The following configuration is the standard default setup:

- SCSI ID0
  - The drive reads or writes both MRS and non-MRS 4-mm media.
  - Parity is disabled.
  - DDS-DC data compression is enabled. **(4000 and 8000 series only)**
  - The power-on self-test diagnostics of the drive are disabled.
  - Terminator power is disabled.
  - Active terminator is disabled.
- ▶ **Note:** Some configuration settings can be changed using the Mode Select command. Refer to Appendix C for specific SCSI information.

Unless the drive is to be SCSI ID0, you use the jumpers to set the SCSI device address.

## Jumper Configurations

For ABCS the Jumper Settings should be 3 & 4 Jumped "ON"



► **Note:** The drive must be turned OFF; then, ON in order for the jumper placements to take effect, or a SCSI Bus Reset must be received.

If the default address setting ID0 is correct for your system, and you do not choose to change any other options, go to **Mounting the Drive Unit**.

## Dip Switch Default Settings

	S8	S7	S6	S5	S4	S3	S2	S1	
OFF	<input checked="" type="checkbox"/>	<input type="checkbox"/>	<input checked="" type="checkbox"/>	<input checked="" type="checkbox"/>	<input type="checkbox"/>	<input checked="" type="checkbox"/>	<input checked="" type="checkbox"/>	<input checked="" type="checkbox"/>	
ON	<input type="checkbox"/>	<input checked="" type="checkbox"/>	<input type="checkbox"/>	<input type="checkbox"/>	<input checked="" type="checkbox"/>	<input type="checkbox"/>	<input type="checkbox"/>	<input type="checkbox"/>	
	Self-test	Inquiry String	DDS Pass-through	Parity	MRS Mode	SCSI ID Selection			SCSI ID
OFF	Disable	Archive	DDS-DC	Disable	MRS	OFF	OFF	OFF	0
						OFF	OFF	ON	1
ON	Enable	Seagate	DDS	Enable	All	OFF	ON	OFF	2
						OFF	ON	ON	3
						ON	OFF	OFF	4
						ON	OFF	ON	5
						ON	ON	OFF	6
						ON	ON	ON	7

Leave all Dip Switches set to Factory Default!