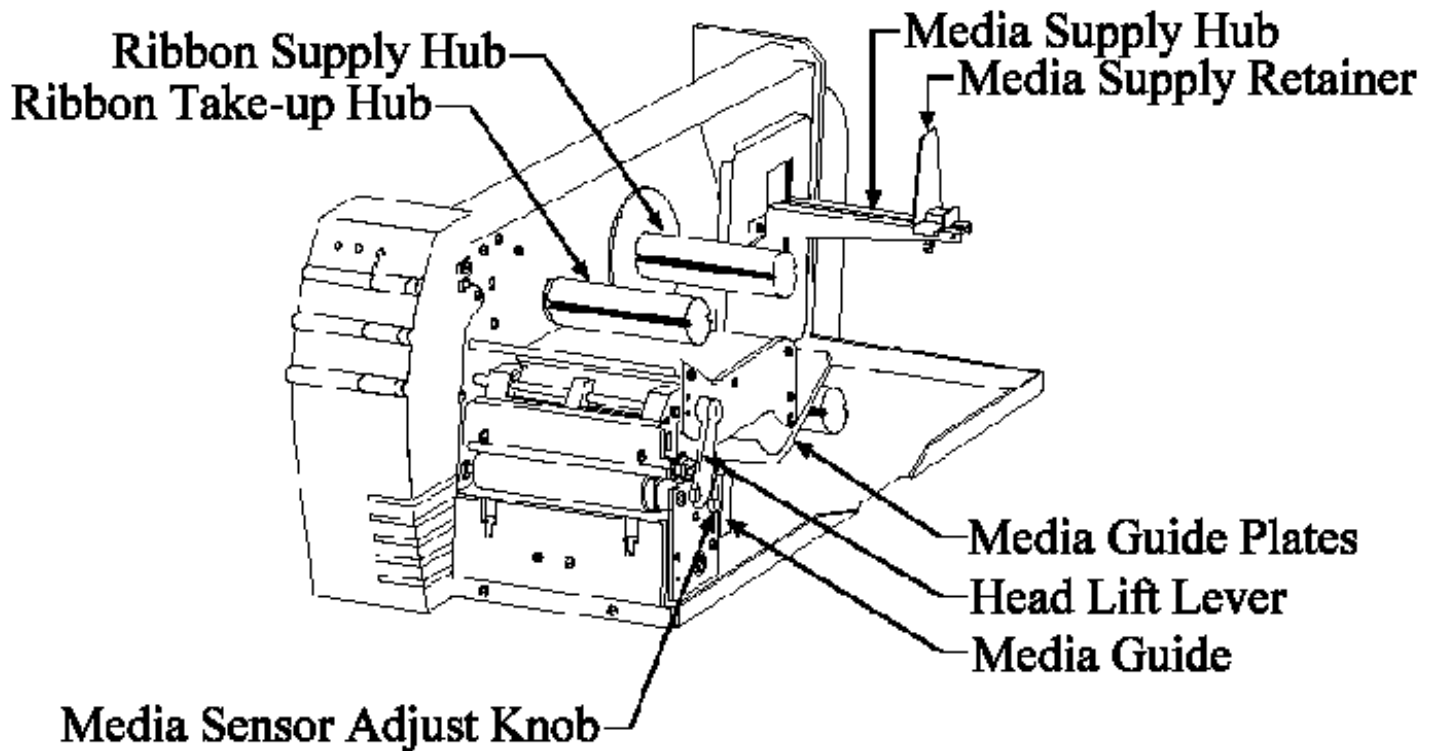


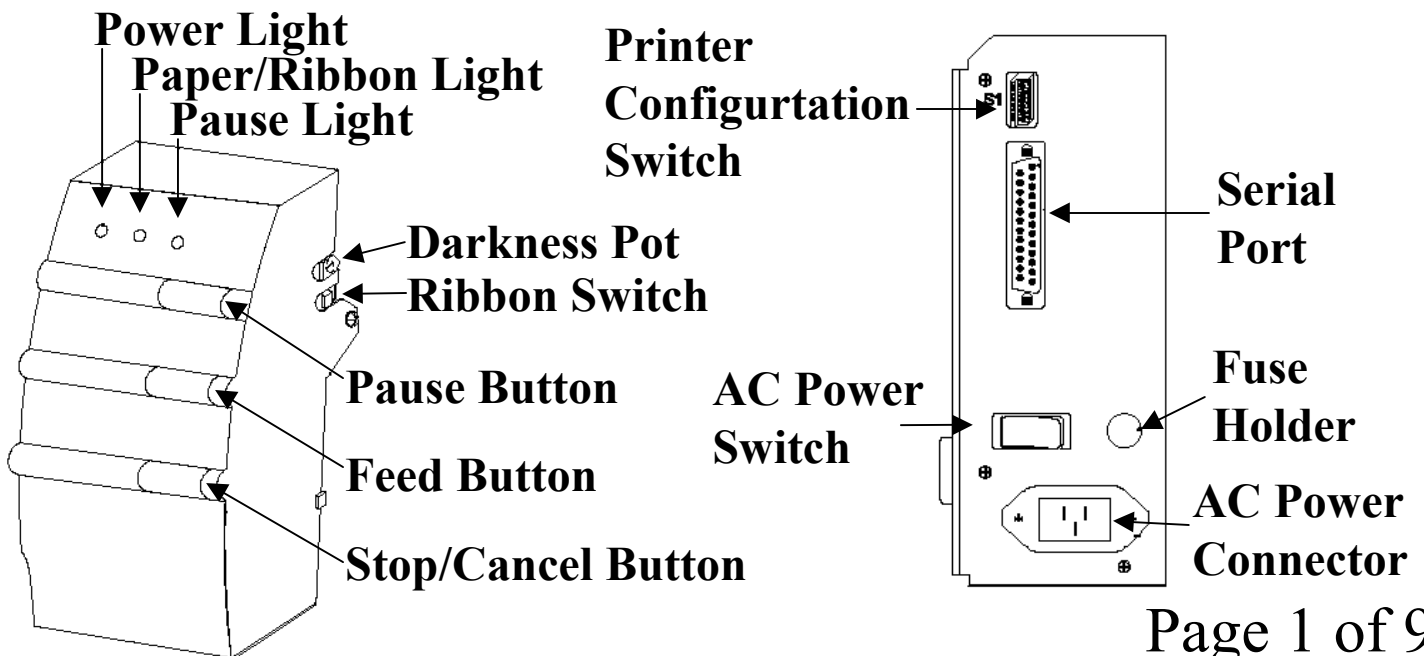
Setting Up a Datamax Allegro 2 Label Printer on Digi

Mechanism Detail



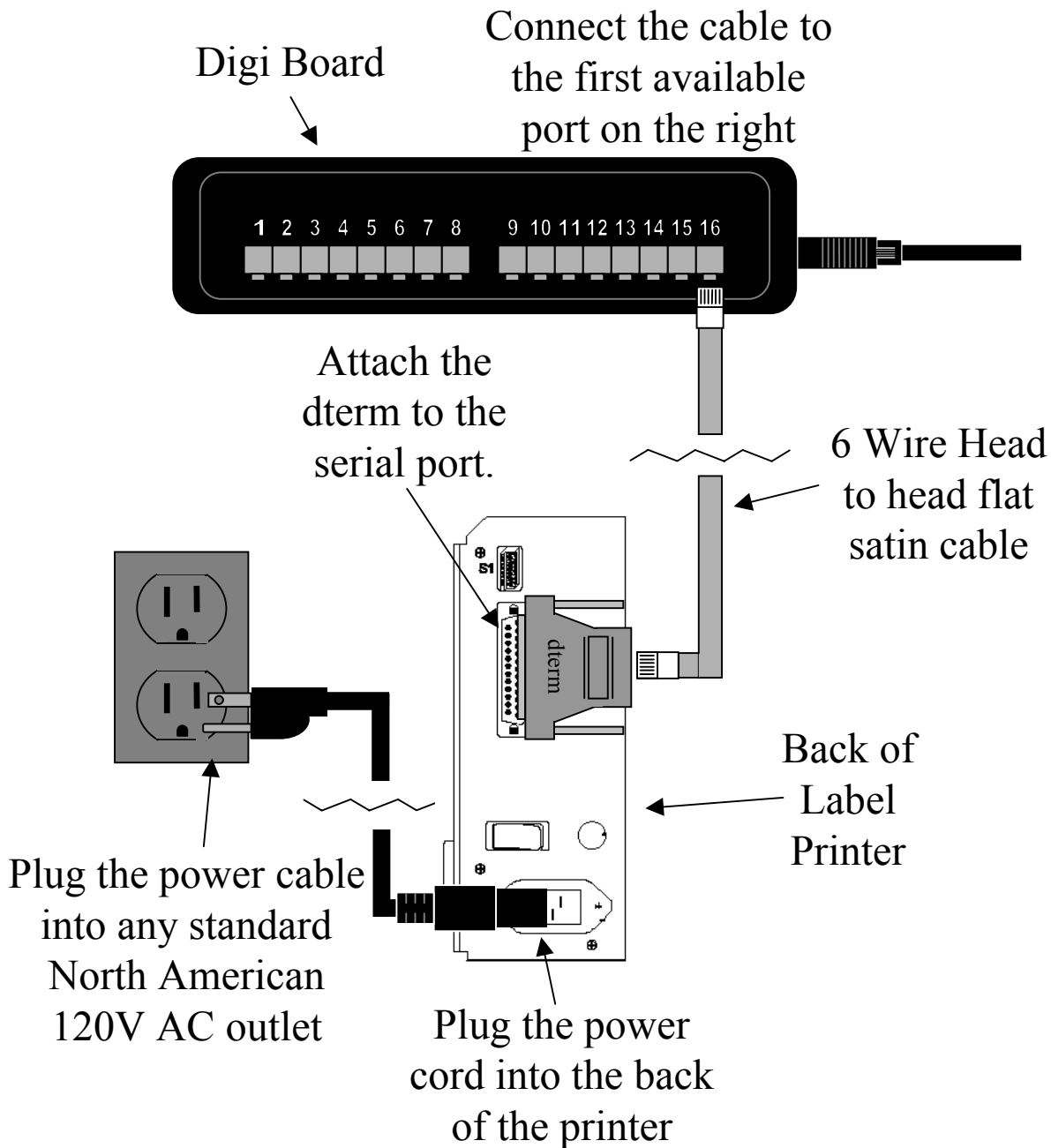
Front of Printer

Back of Printer



Setting Up a Datamax Allegro 2 Label Printer on Digi

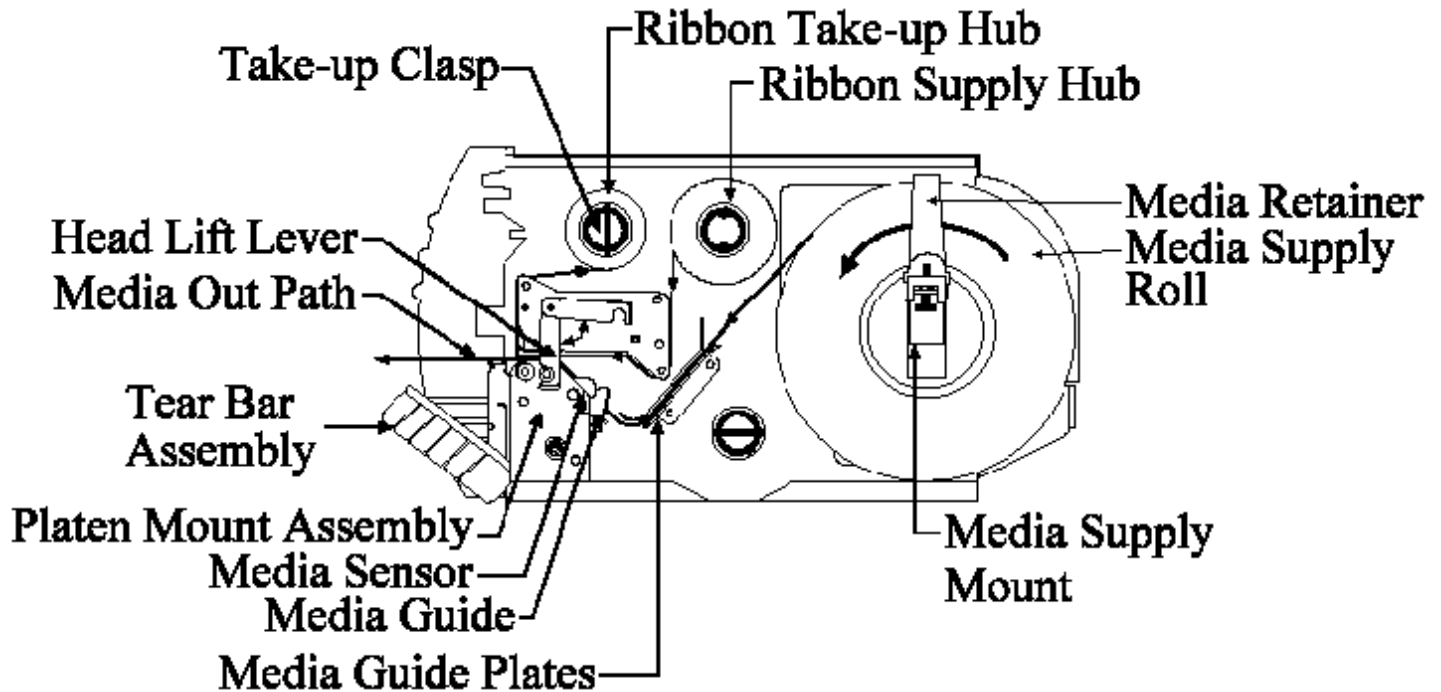
Connecting the Printer to the Digi



Setting Up a Datamax Allegro 2 Label Printer on Digi

Loading the paper and ribbon

Use the following diagram to identify the parts of the label printer and to ensure the paper and ribbon is following the correct path



Before performing any of these steps turn the printer off.

Loading the labels:

1. Disengage the printhead by rotating the head lift lever counterclockwise to the up position.
2. Remove the tear bar assembly. You can remove it by pressing on the bottom and pulling it up. The printer is shipped with the tear bar assembly, but it is not attached. If you are setting the printer up for the first time and the tear bar assembly is already removed, skip this step.

Setting Up a Datamax Allegro 2 Label Printer on Digi

3. Pull the media guide to the outer edge of the guide. Rotate the media guide to the down position by pulling the top toward you.
4. Slide the media retainer to the outer edge of the supply mount and rotate it to the down position so that it is parallel to the supply mount.
5. Place label roll on the supply mount and slide the retainer firmly against it after rotating it to the up position.
6. Insert the labels between the two media guide plates.
7. Put the labels through the media sensor. Make sure there is nothing else in the media sensor. If the labels do not pass through the sensor it will cause an error. If there is anything other than the labels in the media sensor it will cause an error.
8. Pull the labels through the media out path.
9. Rotate the media guide up and slide it to the edge of labels.

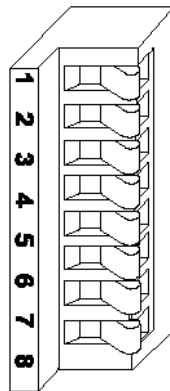
Loading the ribbon:

1. Slide the ribbon supply onto the supply hub. The end of the roll should go from top to bottom. Make sure the dull side is down, or toward the paper, and the shiny side is up, or away from the paper.
2. Insert the ribbon between the metal rod on the back of the print head and the top plate of the media guide.
3. Pull the ribbon through the media out path. Make sure the ribbon does not go into the sensor.

Setting Up a Datamax Allegro 2 Label Printer on Digi

4. Rotate the ribbon onto the ribbon take-up hub using the take-up clasp to hold the end of the ribbon onto one side of the take-up hub. Ensure that the ribbon starts at the bottom of the take up hub and wraps around in a counter clockwise direction.
5. Engage the printhead by rotating the head lift lever clockwise to the down position.
7. Replace the tear bar assembly. You can replace it by lining up the pegs on the assembly with the holes on the front of the printer and sliding it down.
8. Make sure the switch settings are set correctly according to the following diagram. All switches should be in the off position.

ON ← → OFF



**Once you have completed
these steps you may turn the
printer back on**

Setting Up a Datamax Allegro 2 Label Printer on Digi

Setting the Printer up on the SCO Server

1. Check to make sure your port is not enabled as a terminal. This is done by typing sysut from the # prompt and choosing the terminal menu item. From there, press enter on system terminal maintenance. From there find your port. If it has Y under the enabled column, press F8 and choose disable. Then press escape until you get back to the main menu. If it has an N in the enable column, simply press the escape key until you get back to the main menu

```
-----System terminal maintenance-----
```

Tty	Sta	E	User	Idle	Comment	Baud	Trn type	M	I
a10	0	N				384	dialup	0	
a11	0	N				384	wy150-25	0	
a12	0	N				384	wy150-25	0	
a13	0	N		Test		384	wy150-25	0	
a14	0	N				384	wy150-25	0	
a15	0	Y				384	wy150-25	0	
a16	0	N				384	ansic	0	
---End of list---									
01	0	Y	root	3:3	Can it be cahnged	96	ansic	0	
02	0	Y				96	ansic	0	
03	0	Y				96	ansic	0	
04	0	Y				96	ansic	0	
05	0	Y				96	ansic	0	
06	0	Y				96	ansic	0	
07	0	Y				96	ansic	0	
08	0	Y				96	ansic	0	

Tty: _____

Setting Up a Datamax Allegro 2 Label Printer on Digi

2. Set up the printer in spooler printer maintenance. This can be done from the main menu by arrowing down to printer and pressing enter. From there choose spooler printer maintenance and press enter. Press insert to add a new printer. Under Printer name you can enter up to 14 letters and numbers as long as that name is not already in use. You can not use any spaces or special charatars. Remeber this Printer name. You will need it later. Write it down if necessary.

Under device you must enter the entire name of the port, including the /dev. For example, if you put the printer in port 16 on digi a you must put /dev/ttya16. In the Description field you can put any description you want, up to 36 Charactars. This field does not have anything to do with the operation of the printer. It just makes it easier for other people to identify this printer. System Default should be N, Enabled should be Y, and accepting requests should be Y. After doing this press the insert button and then the escape key. This should put you back at the printer menu.

```
*** ADD MODE ***  
  
Printer name      : lp01  
Device           : /dev/ttya16  
Description      : Test Printer  
System default   : N  
Enabled          : Y  
Accepting requests: Y
```

Setting Up a Datamax Allegro 2 Label Printer on Digi

3. Set up the printer in software printer maintenance. To do this, from the printer menu choose software printer maintenance. Press insert to add a new entry.

In the Printer ID code field you can enter up to 14 letters and numbers. The same rules apply on this field as do on the Printer name in spooler printer maintenance. This ID does not necessarily have to be the same as the Printer name you set up in the spooler printer maintenance, but it is best to make it the same for the sake of simplicity.

In the description field You may enter any description you want up to 30 characters. It is not necessary to enter a description, but it is important to enter one so that anyone who uses the system later can identify this printer easily.

In the location field you can enter anything you want. This field has no effect on the operation of the printer.

In the [L]ocal/[R]emote/[T]ransparent field enter 1 for local

In the printer type field enter datamax

In the form class field you can enter anything you want. This field has no effect on the operation of the printer.

In the Device, file, or |SpoolCommand you must enter the following:

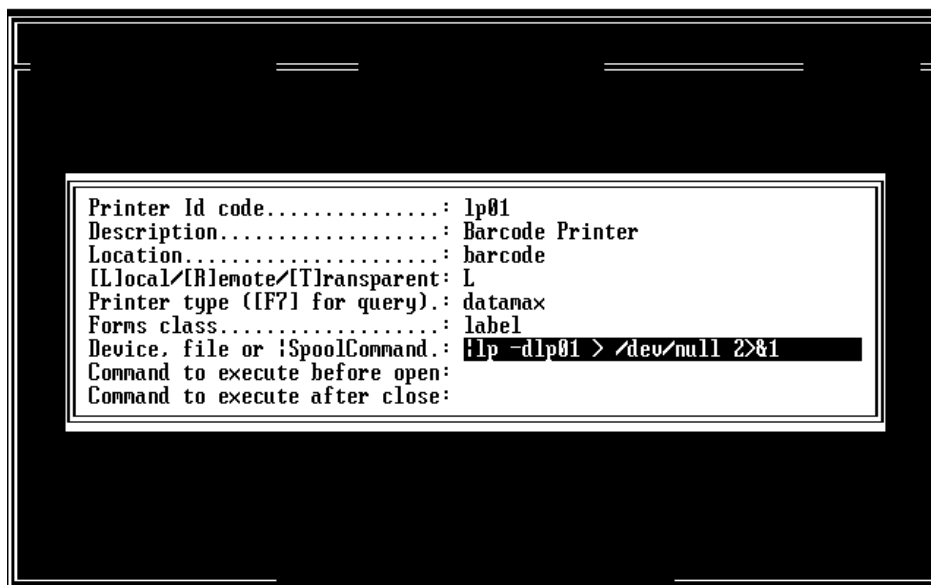
```
|lp -dspoolername > /dev/null 2>&1
```

where *spoolername* is the Printer name you enter for your entry in the spooler printer maintenance.

Leave the last two fields blank.

Setting Up a Datamax Allegro 2 Label Printer on Digi

Press insert to keep this entry for final save and then F10 to save your settings. At this point your printer is set up on the system. To test the printer to see if you are able to print to it press the shift ad F1 keys at the same time. This should bring up a list of your printers. Choose your printer from the list and press enter three times. If the printer begins to print you have set the printer up successfully. If not, start at the beginning of this document and check your connections and settings. Also check to make sure the select light is on.



The connector for this printer requires a 9-pin male serial connector using 6 wire cable

Wire Number	Hole Number
1	N/A
2	N/A
3	2
4	3
5	1
6	4