

8 wire HP 4050 Connectors

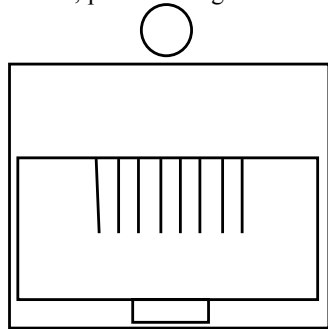
An 8 wire HP 4050 connector must be made using a **9 pin, 8 wire male** connector.

Hold the body of the Connector with the port facing you and the modular locking tab facing down as shown in Figure A

Turn the body of the connector so the wires face you, as seen in Figure B Section B.

Hold the Head of the connector with the back facing toward you as shown in figure B Section A. The holes should be in the order listed below. If they are not, turn the connector around.

Connect the wires in the body of the connector to the holes in the Head of the connector. The numbers below the wires in Figure B Section B show what hole each wire connects to. If a wire in the figure does not point to a specific hole, please disregard it.



○ Figure A

Hold the body of the connector so that the port faces you.

Hold the Head of the connector with the back facing toward you.

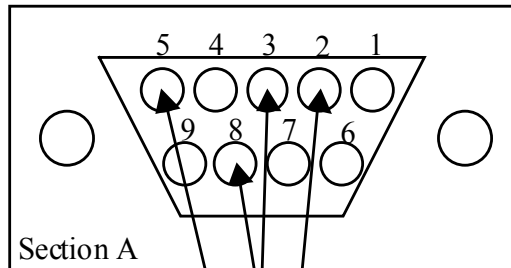
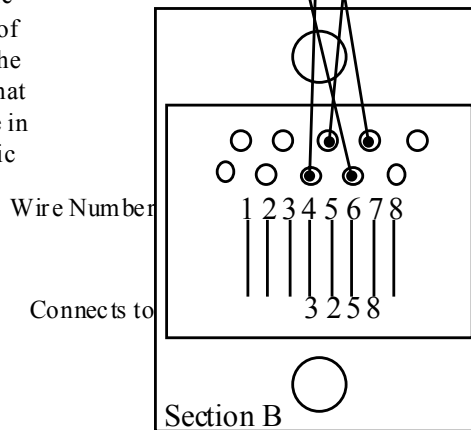


Figure B



Hold the body of the connector so that the wires face you.