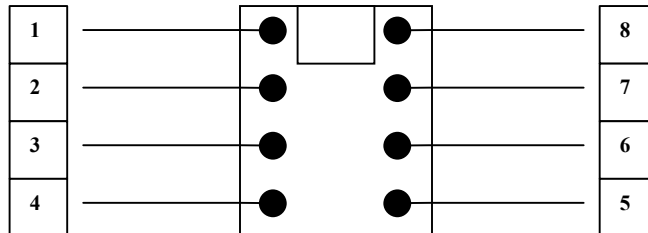


Telephone (Biscuit) Jack Wiring for Ethernet

If you are using the recommended CAT5 category wire for your wiring, then the following sequence will be utilized:

With your Jack facing up the sequence is as follows:

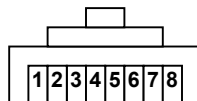


LEVITON catalog #40278-001

Wires from Cable			
1	White/Orange	Brown	8
2	Orange	White/Brown	7
3	White/Green	Green	6
4	Blue	White/Blue	5

Wires in Jack			
1	Blue	Gray	8
2	Orange	Brown	7
3	Black	Yellow	6
4	Red	Green	5

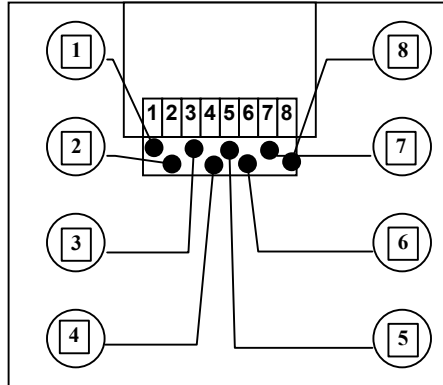
RJ-45 Connector



Gm 01/21/02

NOTE: If you have a different MFG. for your telephone jacks, the sequence may differ.

To check for correct wiring sequence, follow the wires as follows. Looking at jack from rear wire furthest to left is always # 1.



If you follow these wires to the screws, the sequence should be equal to (CAT5):

- 1= White/Orange
- 2= Orange
- 3= White/Green
- 4= Blue
- 5= White/Blue
- 6= Green
- 7= White/Brown
- 8= Brown