

# Mono Frad Supervisory Connector

The connector connecting a pc to a 6 wire head to head cable that connects to the supervisory port of a monorad must be made using a 9 pin, **6 wire female** connector. This connector is used with the older type frad only.

Hold the body of the Connector with the port facing you and the modular locking tab facing down as shown in Figure A

Turn the body of the connector so the wires face you, as seen in Figure B Section B.

Hold the Head of the connector with the back facing toward you as shown in figure B Section A. The holes should be in the order listed below. If they are not, turn the connector around.

Connect the wires in the body of the connector to the holes in the Head of the connector. The numbers below the wires in Figure B Section B show what hole each wire connects to. If a wire in the figure does not point to a specific hole, please disregard it.

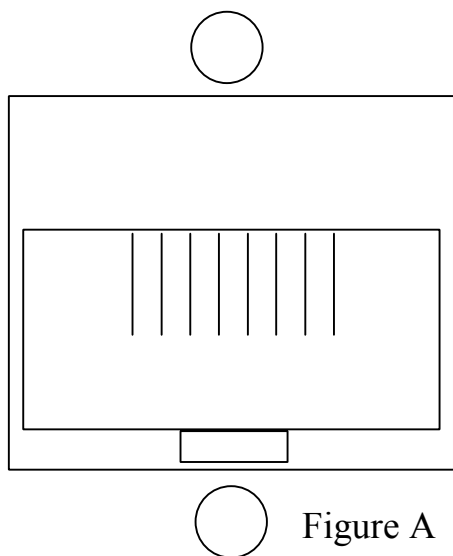


Figure A

Hold the body of the connector so that the port faces you.

Wire in body of connector	Hole on head of connector	Function
1		Unused
2	2	Receive Data
3	3	Transmit Data
4	5	Ground
5		Unused
6		Unused

Hold the Head of the connector with the back facing toward you.

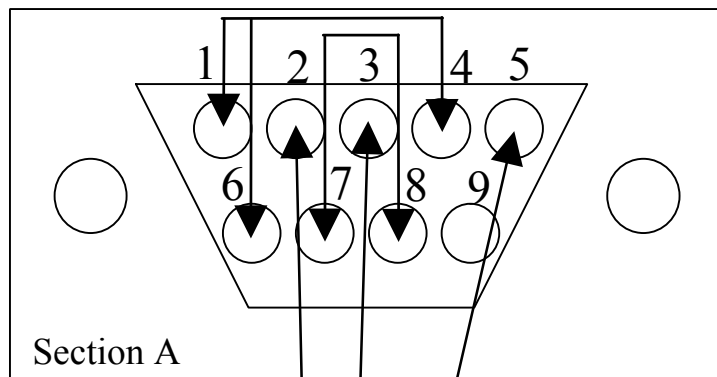
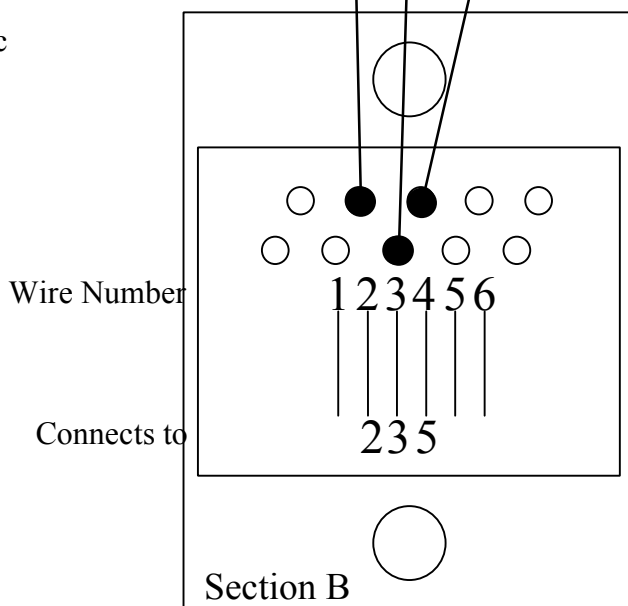


Figure B



Hold the body of the connector so that the wires face you.

You must jumper holes 1, 6, and 4 together. You must also jumper holes 7 and 8 together. This can be done by cutting 5 unused wires, stripping back some of the plastic, and taping the ends together. Once you have done this, plug the jumpers into the correct holes